

AF132418P

ITEM	PART NO.	WT.
ASSEMBLY	AF132418P	104 LBS
PALLET QTY	20	2130 LBS
LID	CPI324B	47 LBS
ENCLOSURE	BF132418B	57 LBS

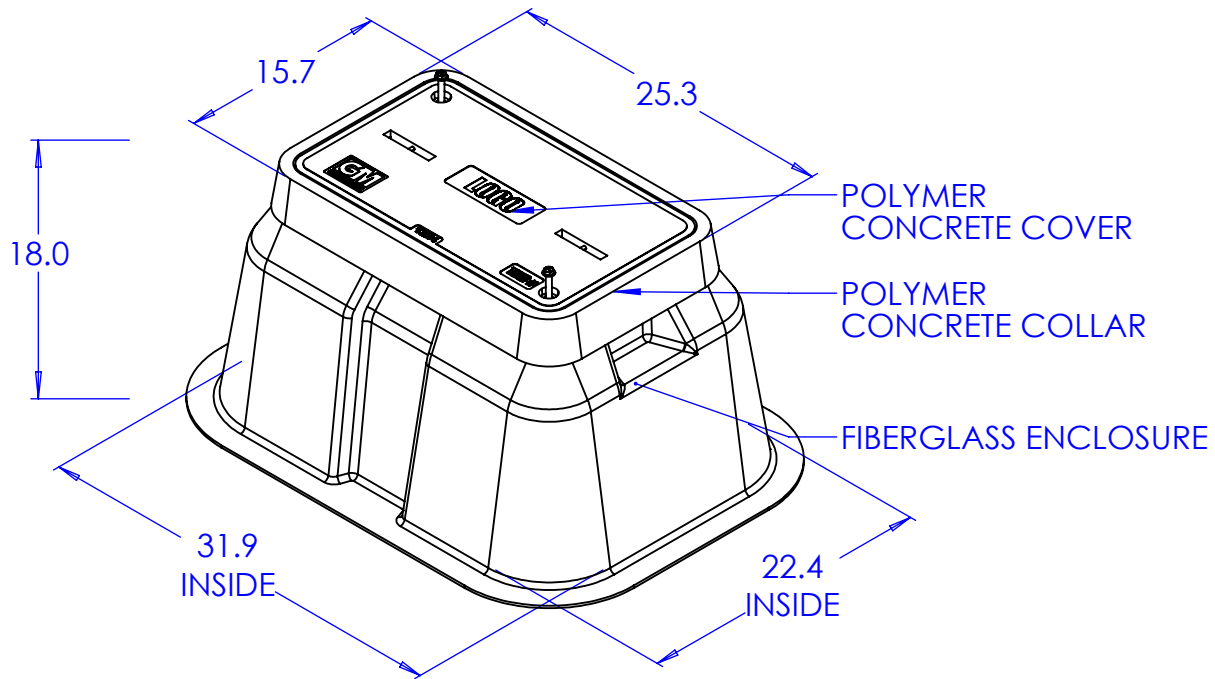
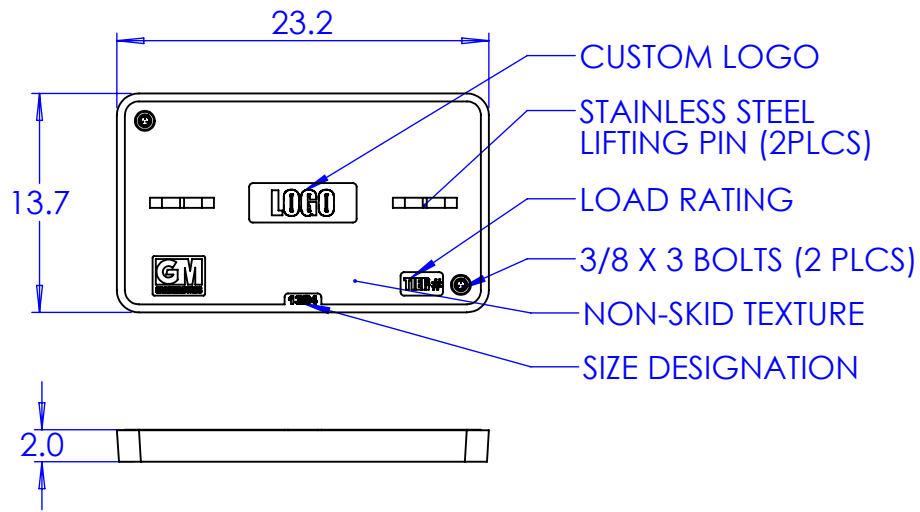
PART DESCRIPTION:
 13" x 24" x 18"
 FIBERGLASS BOX ASSEMBLY, FLARED
 WALL, OPEN BOTTOM

LOAD RATING:
 TIER 08
 TIER 15

BOLT DOWN:
 HEX HEAD (STANDARD)
 PENTA HEAD

LOGO OPTIONS:
 ELECTRIC
 COMMUNICATIONS
 FIBER OPTICS
 BLANK
 WATER
 LIGHTING
 STREET LIGHTING
 CAVITY
 *OTHER OPTIONS AVAILABLE (CONTACT FACTORY)

AVAILABLE OPTIONS:
 EMS MARKER, POWER
 EMS MARKER, TELEPHONE
 MOUSEHOLES
 *OTHER OPTIONS AVAILABLE (CONTACT FACTORY)



GLASMASTERS, INC.
 8873 WESTERN WAY, JAX., FL 32256
 (904) 400-7100 - (904) 358-1702 FAX
 WWW.GLASMASTERS.COM