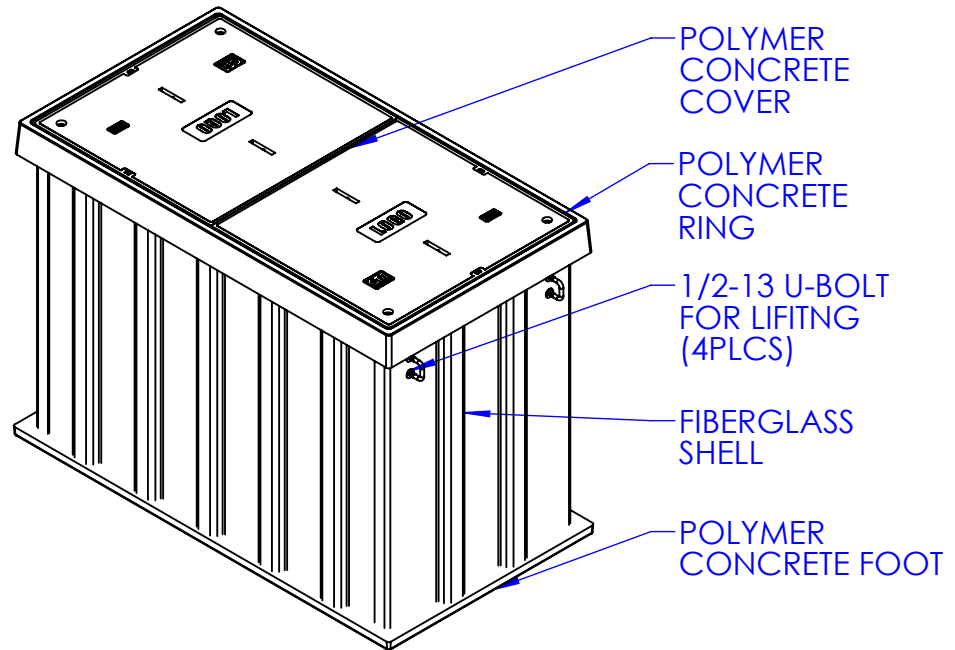
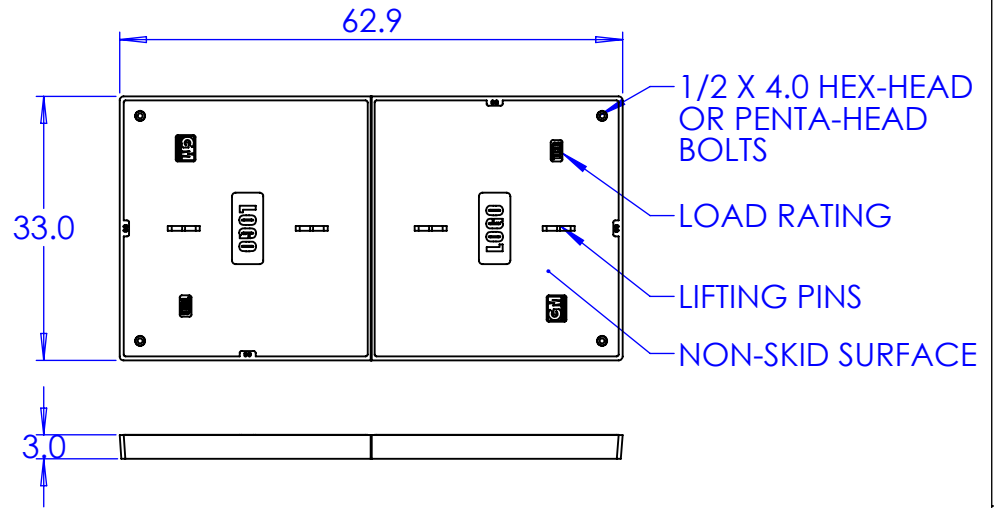
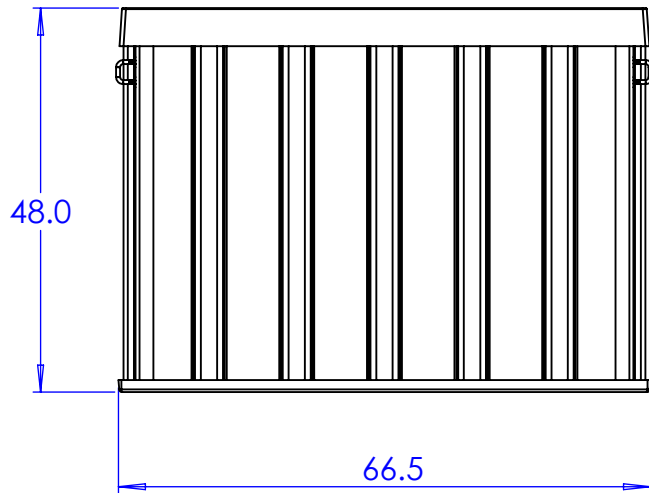
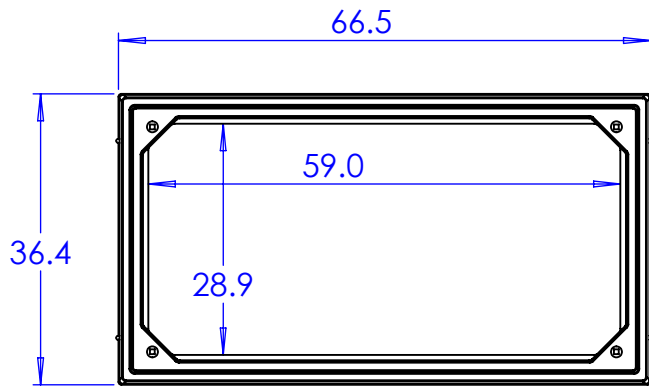


LID	CW3060B	166 X 2 LBS
ENCLOSURE	BV306048	367 LBS
ASSEMBLY	AV306048W	699 LBS
PALLET QTY	1	750 LBS
LOAD RATINGS TIER-15, TIER-22		



GLASMASTERS, INC.
 8873 WESTERN WAY, JAX., FL 32256
 (904) 400-7100 - (904) 358-1702 FAX
 WWW.GLASMASTERS.COM

APPROVED
 SJA

DATE 07/25/24
 DRAWN BMC
 FILE

REV N/C

TITLE 30x60x48 CORRUGATED ASSY
 SCALE 1:24
 DWG NO AV306048W

SHEET 1 OF 1

THIS DRAWING IS CONFIDENTIAL AND PROPRIETARY AND MAY NOT BE DISTRIBUTED OR REPRODUCED WITHOUT THE EXPRESSED WRITTEN CONSENT OF GLASMASTERS, INC. ALL COPYRIGHT AND PATENT RIGHTS RESERVED. VIOLATORS WILL BE PROSECUTED.

