

Pedestrian-Rated **HDPE Enclosures**



Raising the Standards in
Underground Enclosures

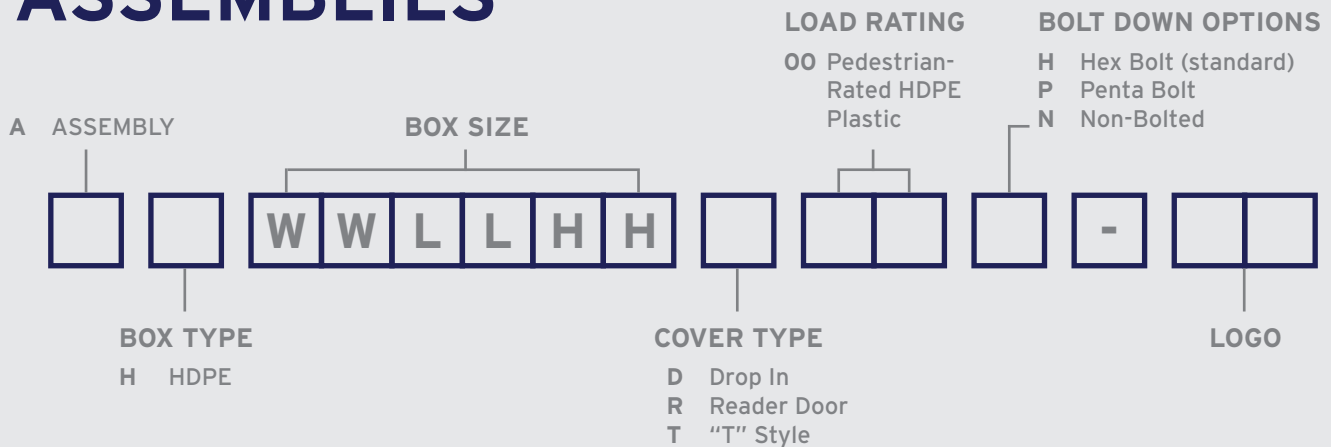
8873 Western Way, Jacksonville, FL 32256
904.400.7100 | Fax: 904.358.1702
GlasMasters.com



GlasMasters

Part Numbering System

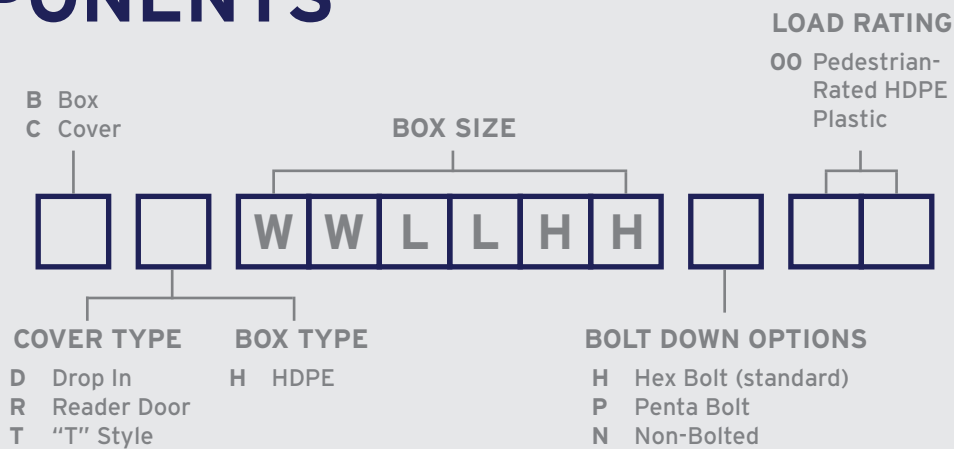
ASSEMBLIES



EXAMPLE

AH132412T00H-EL

COMPONENTS



EXAMPLE

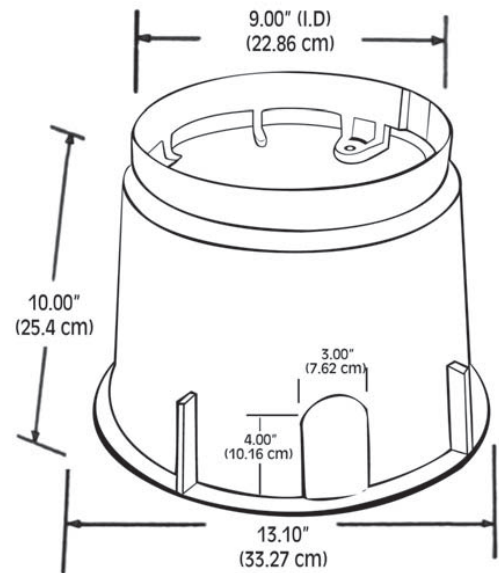
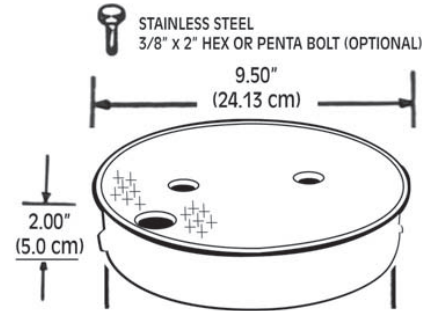
BH132412B00

AH910

FOR USE IN NON-VEHICLE TRAFFIC AREAS



PRODUCT	DESCRIPTION	WEIGHT (LBS)	PALLET QTY
AH910T00H	Assembly	4	90
BH910B00	Body	3	90
CT910B00	Cover	1	270



SPECIAL FEATURES

- Twist Lock Cover
- Stronger Load Strength
- UV Inhibitors To Prevent Discoloration & Cracking
- Molded In Nylon Nut For Bolt
- Heavy Duty Construction

COLOR OPTIONS

- **8** Green (standard)
- **9** Black
- **1** Gray
- **2** Lavender
- **7** Tan

STANDARD MARKINGS

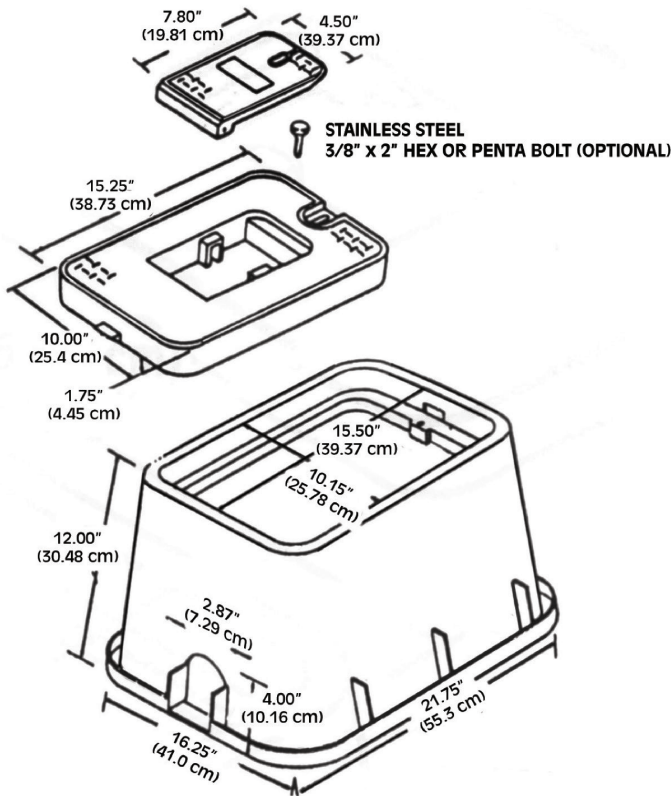
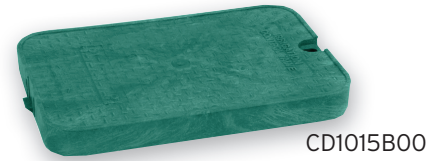
- **ICV** Irrigation Control
- **CATV** CATV
- **WA** Water
- **SW** Sewer
- **TP** Telephone
- **EL** Electric
- **RW** Reclaimed Water
- **BL** Blank

AH1015

FOR USE IN NON-VEHICLE TRAFFIC AREAS



PRODUCT	DESCRIPTION	WEIGHT	PALLET
		(LBS)	QTY
AH101512T00H	Assembly w/ T-Cover, Hex Bolt	10	60
AH101512D00H	Assembly w/ Drop-In Cover, Hex Bolt	10	60
AH101512R00H	Assembly w/ Reader Cover, Hex Bolt	10	60
CT1015H00	Cover, T-Style	3	100
CD1015B00	Cover, Drop-In	3	100
CR1015B00	Cover, Reader Door	3	100
BH101512B00	Box, 12H	8	60



SPECIAL FEATURES

- Nestable for Storage for Shipping
- UV Inhibitors To Prevent Discoloration & Cracking
- Molded In Nylon Nut For Bolt
- Heavy Duty Construction

COLOR OPTIONS

- **8** Green (standard)
- **9** Black
- **1** Gray
- **2** Lavender
- **7** Tan

STANDARD MARKINGS

- **ICV** Irrigation Control
- **CATV** CATV
- **WA** Water (Solid or Meter Door)
- **SW** Sewer
- **TP** Telephone
- **EL** Electric
- **RW** Reclaimed Water
- **BL** Blank

AH1320

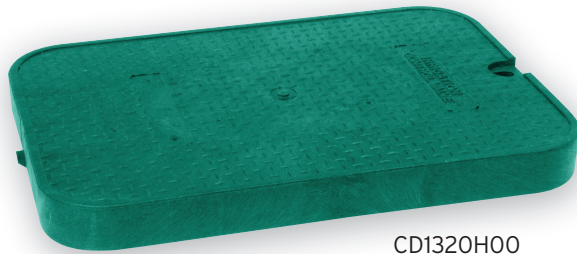
FOR USE IN NON-VEHICLE TRAFFIC AREAS



PRODUCT	DESCRIPTION	WEIGHT	PALLET
		(LBS)	QTY
AH132012D00H	Assembly with Drop-In Cover, Hex Bolt	13	40
AH132012R00H	Assembly with Reader Cover, Hex Bolt	13	40
CT1320H00	Cover, T-Style	4	100
CD1320H00	Cover, Drop-In	4	100
CR1320B00	Cover, Reader Door	4	100
BH132012B00	Box, 12H	10	40



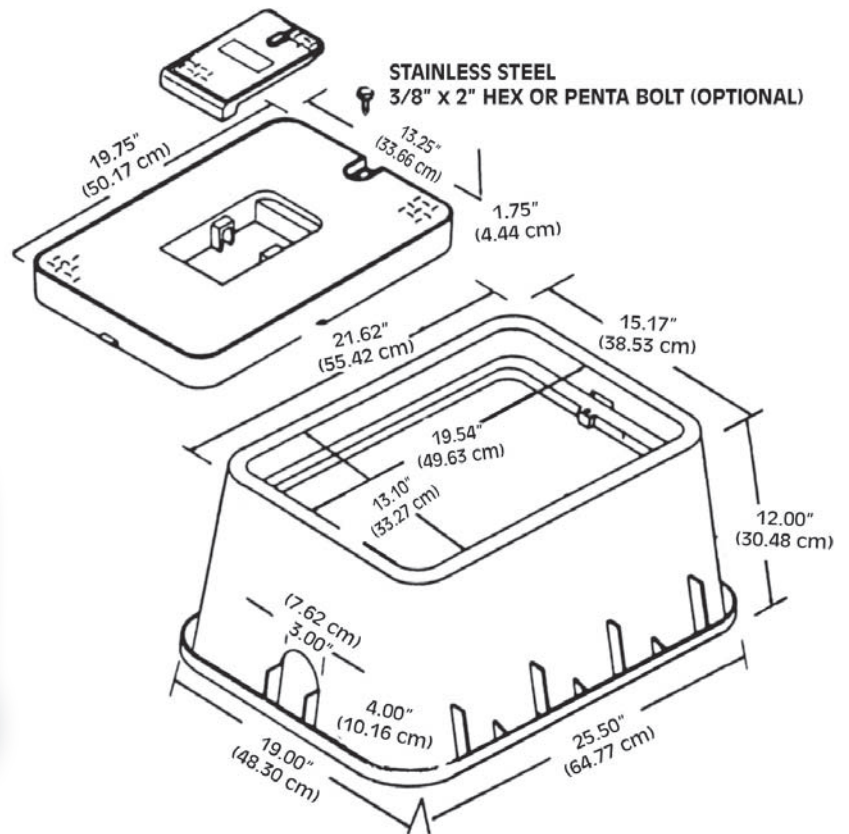
CR1320B00



CD1320H00



BH132012B00



SPECIAL FEATURES

- UV Inhibitors To Prevent Discoloration & Cracking
- Molded In Nylon Nut For Bolt
- Heavy Duty Construction

COLOR OPTIONS

- **8** Green (standard)
- **9** Black
- **1** Gray
- **2** Lavender
- **7** Tan

STANDARD MARKINGS

- **ICV** Irrigation Control
- **WA** Water (Solid or Meter Door)
- **TP** Telephone
- **EL** Electric

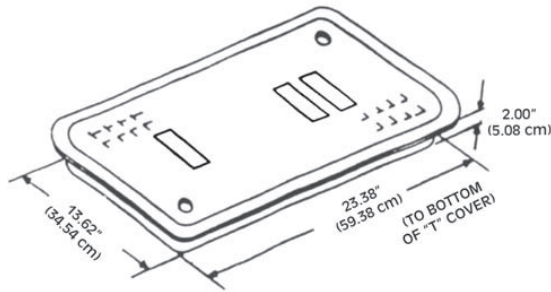
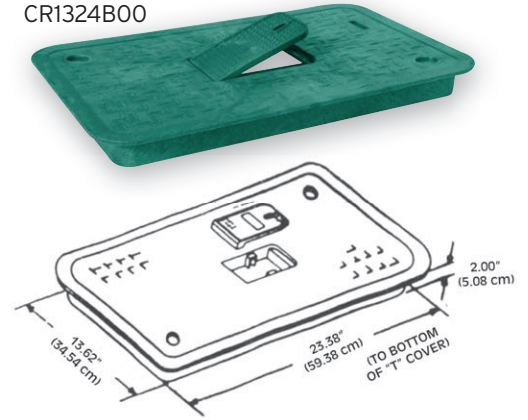
AH1324

FOR USE IN NON-VEHICLE TRAFFIC AREAS

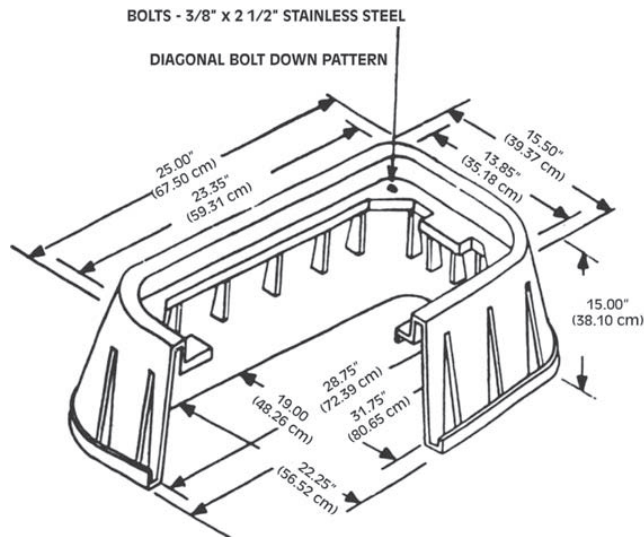
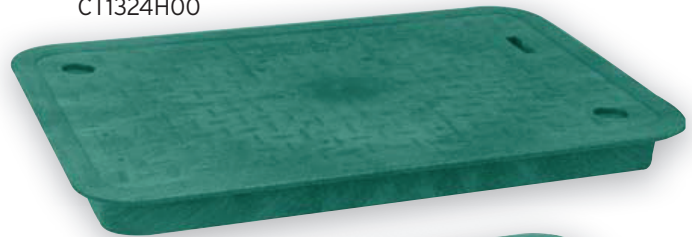


PRODUCT	DESCRIPTION	WEIGHT (LBS)	PALLET QTY
AH132412T00H	Assembly with T-Cover, Hex Bolts	23	16
AH132412R00H	Assembly with Reader Cover, Hex Bolts	23	16
CT1324H00	Cover, T-Style	8	100
CR1324B00	Cover, Reader Door	8	100
BH132412B00	Box, 12H	15	16

CR1324B00



CT1324H00



BH132412B00

SPECIAL FEATURES

- UV Inhibitors To Prevent Discoloration & Cracking
- Molded In Nylon Nut For Bolt
- Heavy Duty Construction

COLOR OPTIONS

- **8** Green (standard)
- **9** Black
- **1** Gray
- **2** Lavender
- **7** Tan

STANDARD MARKINGS

- **ICV** Irrigation Control
- **WA** Water (Solid or Meter Door)
- **SW** Sewer
- **TP** Telephone
- **EL** Electric
- **RW** Reclaimed Water

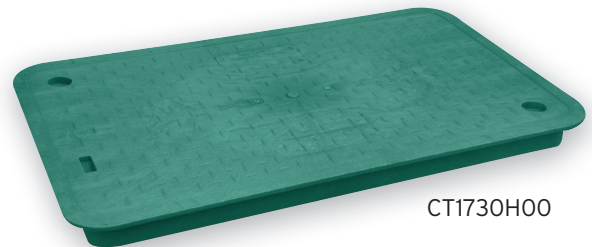
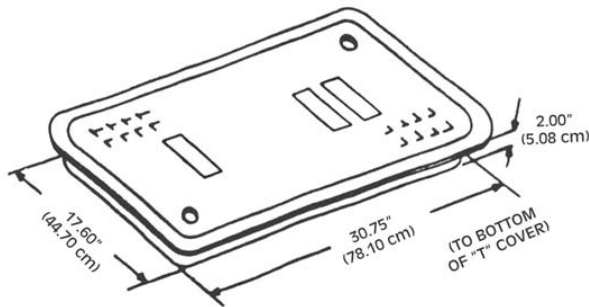
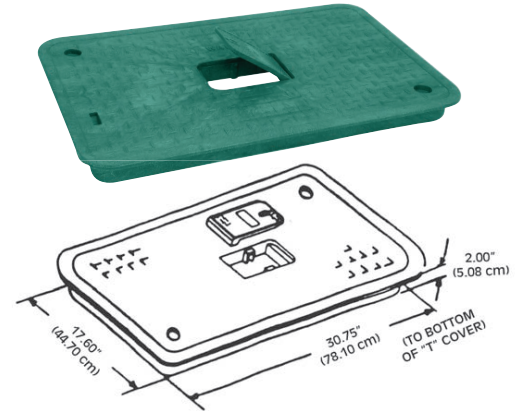
AH1730

FOR USE IN NON-VEHICLE TRAFFIC AREAS



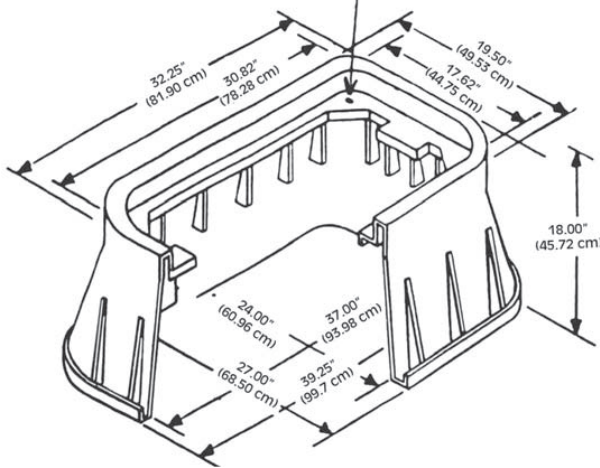
PRODUCT	DESCRIPTION	WEIGHT (LBS)	PALLET QTY
AH173018T00H	Assembly with T-Cover, Hex Bolts	42	16
AH173018R00H	Assembly with Reader Cover, Hex Bolts	42	16
CT1730H00	Cover, T-Style	13	50
CR1730B00	Cover, Reader Door	13	50
BH173018B00	Box, 18H	29	16

CR1730B00



CT1730H00

BOLTS - 3/8" x 2 1/2" STAINLESS STEEL
DIAGONAL BOLT DOWN PATTERN



BH173018B00

SPECIAL FEATURES

- UV Inhibitors To Prevent Discoloration & Cracking
- Molded In Nylon Nut For Bolt
- Heavy Duty Construction

COLOR OPTIONS

- **8** Green (standard)
- **9** Black
- **1** Gray
- **2** Lavender
- **7** Tan

STANDARD MARKINGS

- **ICV** Irrigation Control
- **WA** Water (Solid or Meter Door)
- **EL** Electric
- **BL** Blank

Exceptional Quality Great Service Short Lead Times



8873 Western Way, Jacksonville, FL 32256
904.400.7100 | Fax: 904.358.1702
GlasMasters.com

All of the information contained in this literature is accurate and valid at the time this was printed. GlasMasters reserves the right to change or modify any and all information including, but not limited to, pricing, model numbers, availability and any other changes it sees fit without written notice. It is recommended to contact GlasMasters, Inc. or an authorized representative before quoting any of the products listed in this literature.

