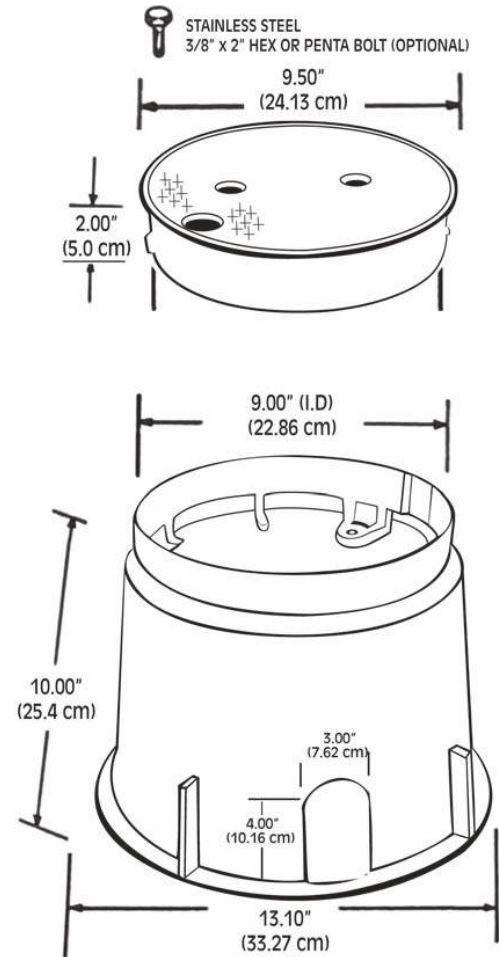


# AH910

FOR USE IN NON-VEHICLE TRAFFIC AREAS



PRODUCT	DESCRIPTION	WEIGHT (LBS)	PALLET QTY
AH910T00H	Assembly	4	90
BH910B00	Body	3	90
CT910B00	Cover	1	270



## SPECIAL FEATURES

- Twist Lock Cover
- Stronger Load Strength
- UV Inhibitors To Prevent Discoloration & Cracking
- Molded In Nylon Nut For Bolt
- Heavy Duty Construction

## COLOR OPTIONS

- **8** Green (standard)
- **9** Black
- **1** Gray
- **2** Lavender
- **7** Tan

## STANDARD MARKINGS

- **ICV** Irrigation Control
- **CATV** CATV
- **WA** Water
- **SW** Sewer
- **TP** Telephone
- **EL** Electric
- **RW** Reclaimed Water
- **BL** Blank