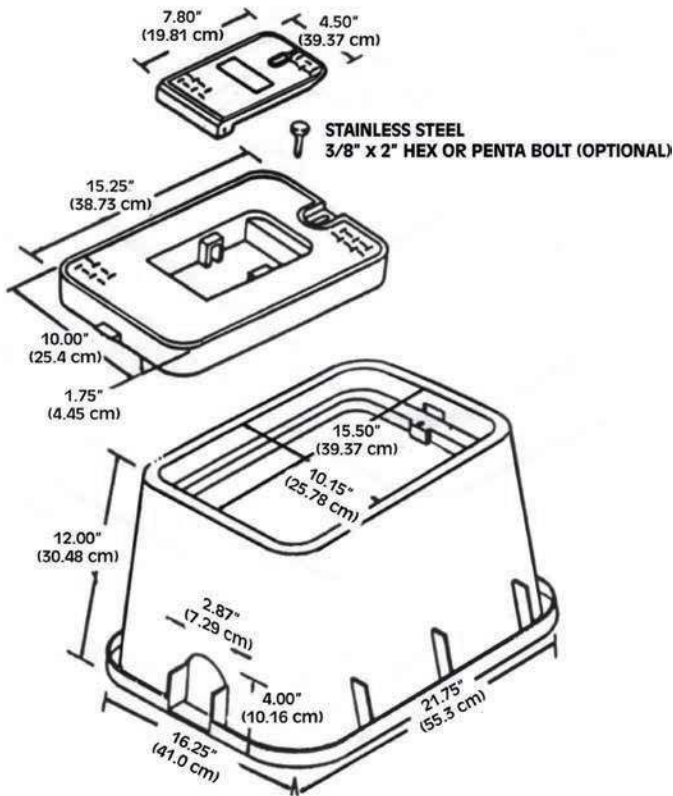
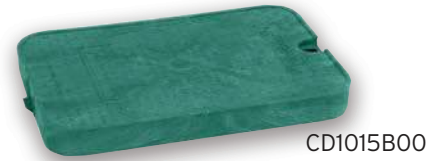


AH1015

FOR USE IN NON-VEHICLE TRAFFIC AREAS



PRODUCT	DESCRIPTION	WEIGHT (LBS)	PALLET QTY
AH101512T00H	Assembly w/ T-Cover, Hex Bolt	10	60
AH101512D00H	Assembly w/ Drop-In Cover, Hex Bolt	10	60
AH101512R00H	Assembly w/ Reader Cover, Hex Bolt	10	60
CT1015H00	Cover, T-Style	3	100
CD1015B00	Cover, Drop-In	3	100
CR1015B00	Cover, Reader Door	3	100
BH101512B00	Box, 12H	8	60



SPECIAL FEATURES

- Nestable for Storage for Shipping
- UV Inhibitors To Prevent Discoloration & Cracking
- Molded In Nylon Nut For Bolt
- Heavy Duty Construction

COLOR OPTIONS

- **8** Green (standard)
- **9** Black
- **1** Gray
- **2** Lavender
- **7** Tan

STANDARD MARKINGS

- **ICV** Irrigation Control
- **CATV** CATV
- **WA** Water (Solid or Meter Door)
- **SW** Sewer
- **TP** Telephone
- **EL** Electric
- **RW** Reclaimed Water
- **BL** Blank