

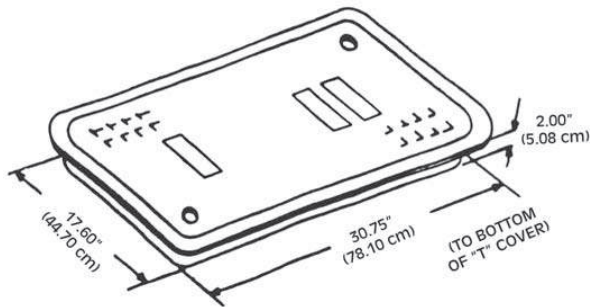
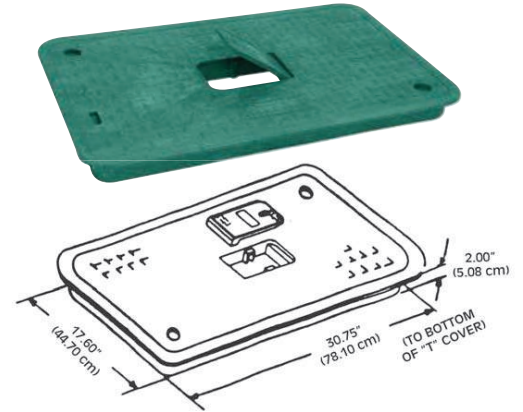
AH1730

FOR USE IN NON-VEHICLE TRAFFIC AREAS

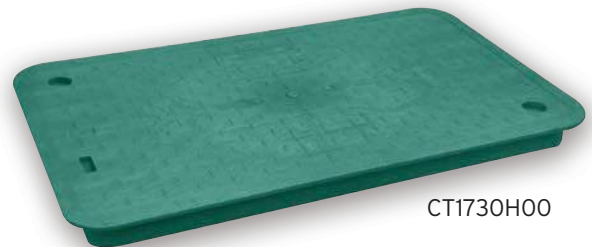
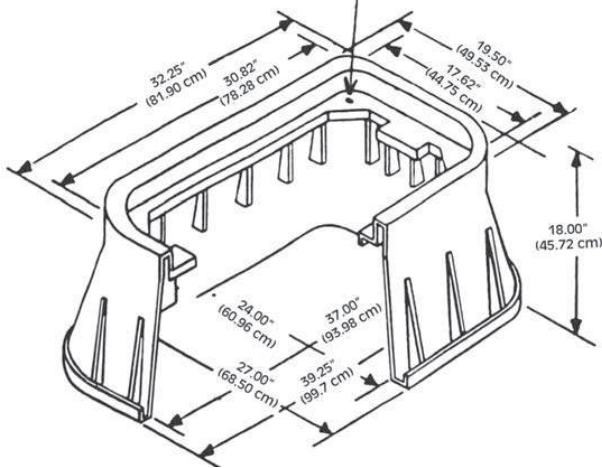


PRODUCT	DESCRIPTION	WEIGHT (LBS)	PALLET QTY
AH173018T00H	Assembly with T-Cover, Hex Bolts	42	16
AH173018R00H	Assembly with Reader Cover, Hex Bolts	42	16
CT1730H00	Cover, T-Style	13	50
CR1730B00	Cover, Reader Door	13	50
BH173018B00	Box, 18H	29	16

CR1730B00



BOLTS - 3/8" x 2 1/2" STAINLESS STEEL
DIAGONAL BOLT DOWN PATTERN



CT1730H00



BH173018B00

SPECIAL FEATURES

- UV Inhibitors To Prevent Discoloration & Cracking
- Molded In Nylon Nut For Bolt
- Heavy Duty Construction

COLOR OPTIONS

- **8** Green (standard)
- **9** Black
- **1** Gray
- **2** Lavender
- **7** Tan

STANDARD MARKINGS

- **ICV** Irrigation Control
- **WA** Water (Solid or Meter Door)
- **EL** Electric
- **BL** Blank