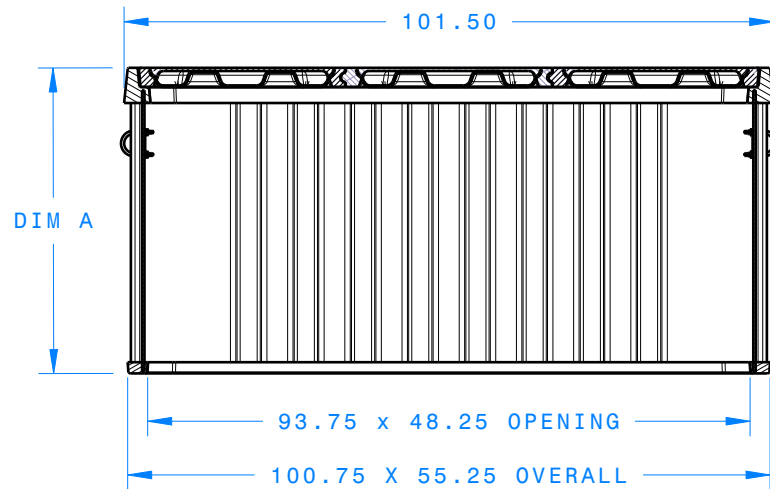


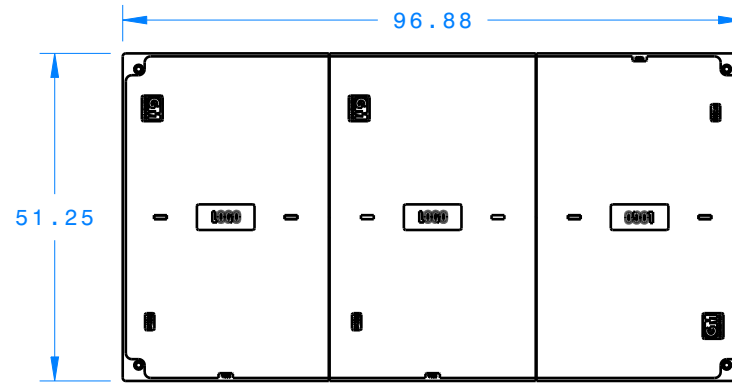
PLAN VIEW



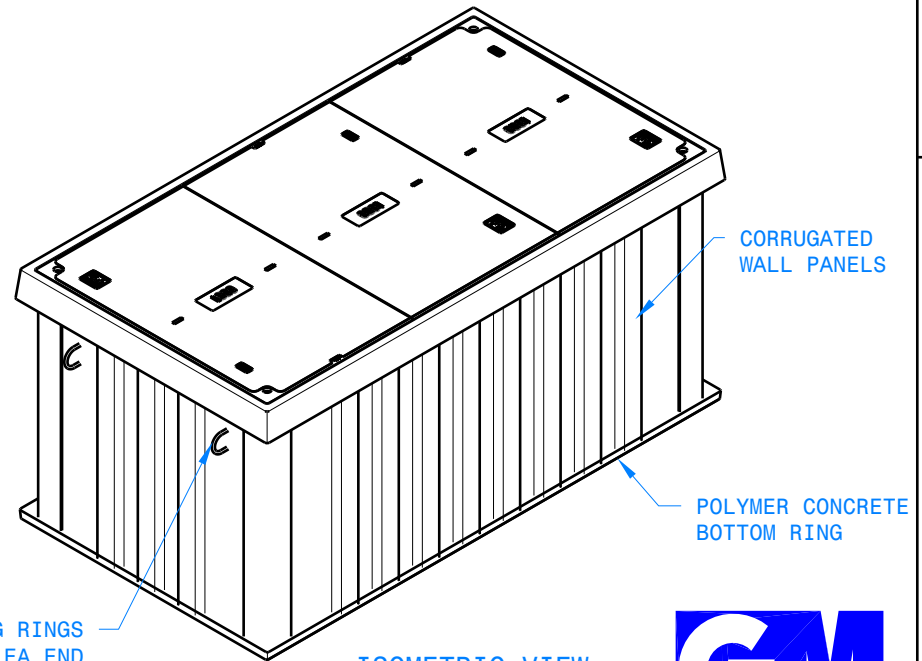
ASSEMBLY SECTION

STEEL LIFTING RINGS
2 EA END

PART NUMBER SCHEME					
DIMENSION A	LOAD RATING	AVAILABLE COLORS		COMMON LOGOS	
24,36,48	08-TIER 8 15-TIER 15 22-TIER 22	1	Gray	WA	Water
		2	Purple	SW	Sewer
		3	Red	EL	Electric
		4	Blue	PW	Power
		5	Green	TR	Traffic
		6	Yellow	TS	Traffic Signal
EXAMPLE:	S489648V15-1-EL				



3 PC COVER



ISOMETRIC VIEW



GLASMASTERS - UNDERGROUND ENCLOSURES 8873 WESTERN WAY, JAX., FL 32256 (904) 400-7100 - (904) 358-1702 FAX WWW.GLASMASTERS.COM					
TITLE	48X96 CORRUGATED VAULT ASSEMBLY	DRAWN	EGH	DATE	6/17/2014
SCALE	NTS	REV	N/C	APPROVED	
SHEET	1	DWG NO	S4896V	FTLE:	S4896V
OF	1				