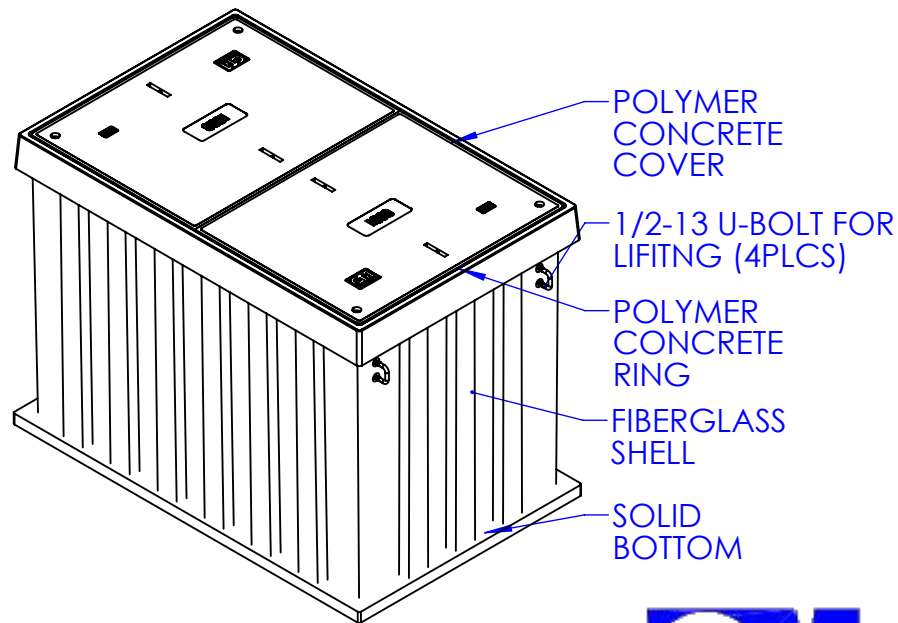
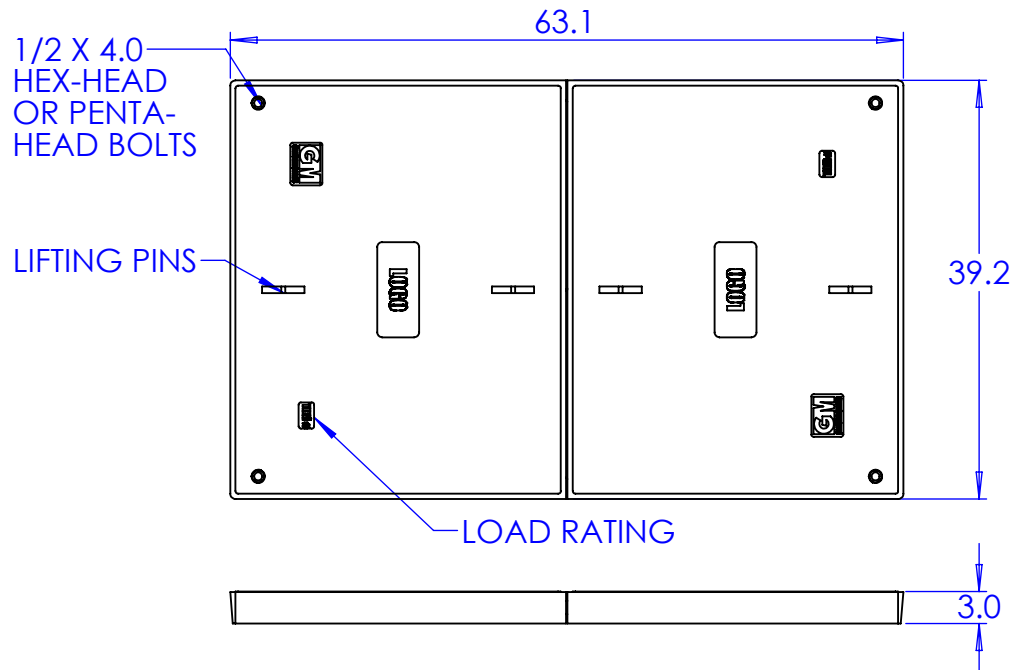
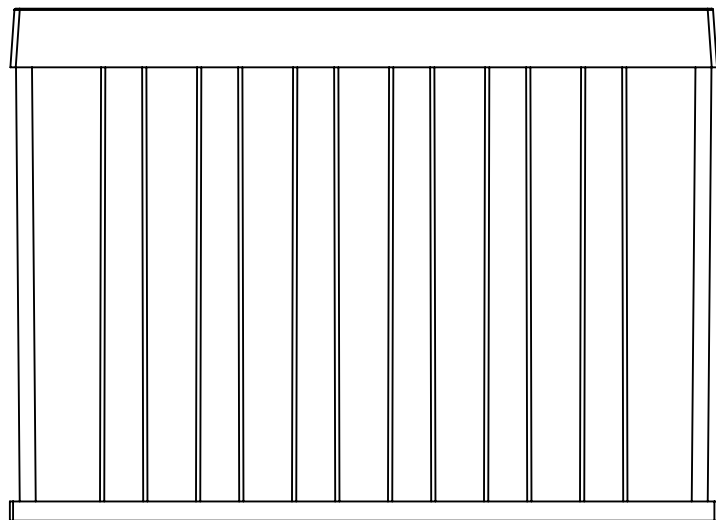
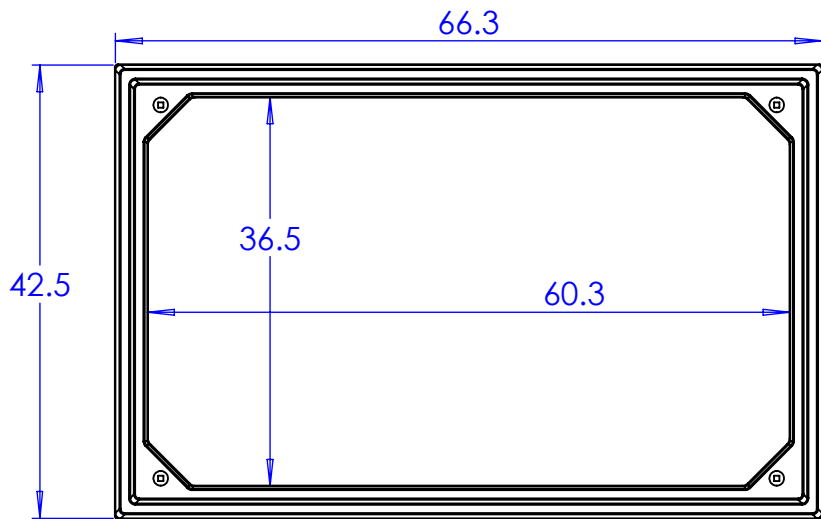


LID	CP3660B	176 X 2 LBS
ENCLOSURE	BV366048	360 LBS
ASSEMBLY	AV366048W	712 LBS
PALLET QTY	1	787 LBS
LOAD RATINGS TIER-15, TIER-22		



SHEET	1	OF 1	TITLE	36x60x48 CORRUGATED ASSY	REV	N/C	DATE	06/28/23	APPROVED	SJA	GLASMASTERS, INC. 8873 WESTERN WAY, JAX., FL 32256 (904) 400-7100 - (904) 358-1702 FAX WWW.GLASMASTERS.COM
			SCALE	1:24	DWG NO	AV366048W	DRAWN	BMC	FILE		

THIS DRAWING IS CONFIDENTIAL AND PROPRIETARY AND MAY NOT BE DISTRIBUTED OR REPRODUCED WITHOUT THE EXPRESSED WRITTEN CONSENT OF GLASMASTERS, INC. ALL COPYRIGHT AND PATENT RIGHTS RESERVED. VIOLATORS WILL BE PROSECUTED.

