

AF304836M

ITEM	PART NO.	WT.
ASSEMBLY	AF304836M	428 LBS
PALLET QTY	3	1335 LBS
LID	CM3048B	100 X 2 LBS
ENCLOSURE	BF304836B	210 LBS

PART DESCRIPTION:

30" x 48" x 36"
 FIBERGLASS BOX ASSEMBLY, FLARED
 WALL, OPEN BOTTOM

LOAD RATING:

- TIER 08
- TIER 15

BOLT DOWN:

- HEX HEAD (STANDARD)
- PENTA HEAD

LOGO OPTIONS:

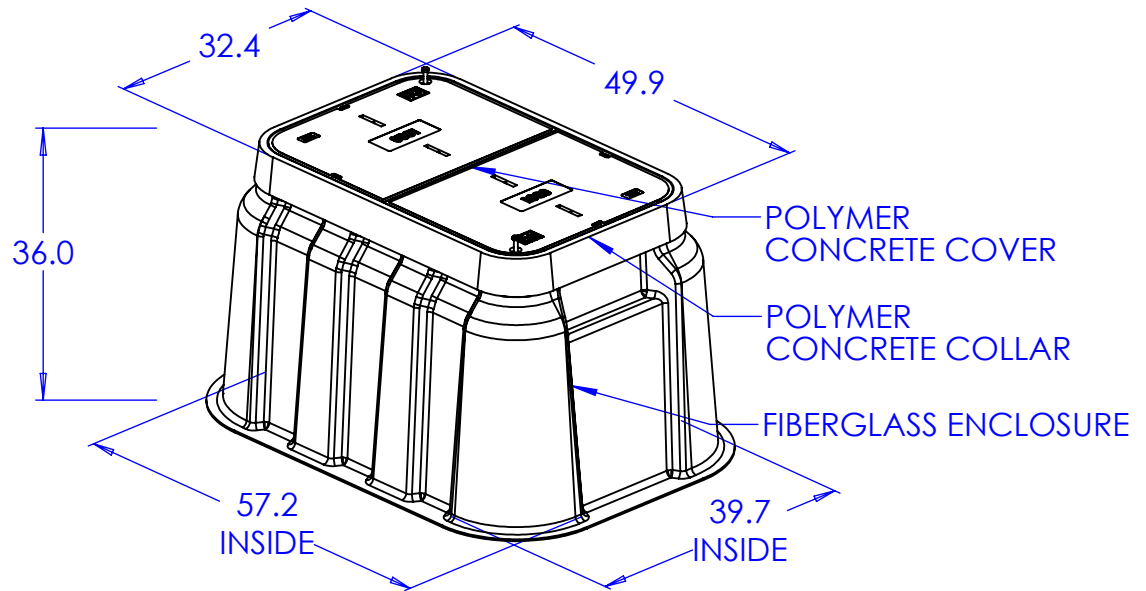
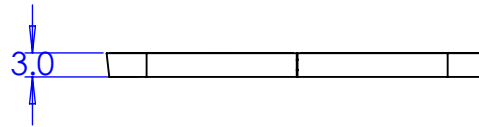
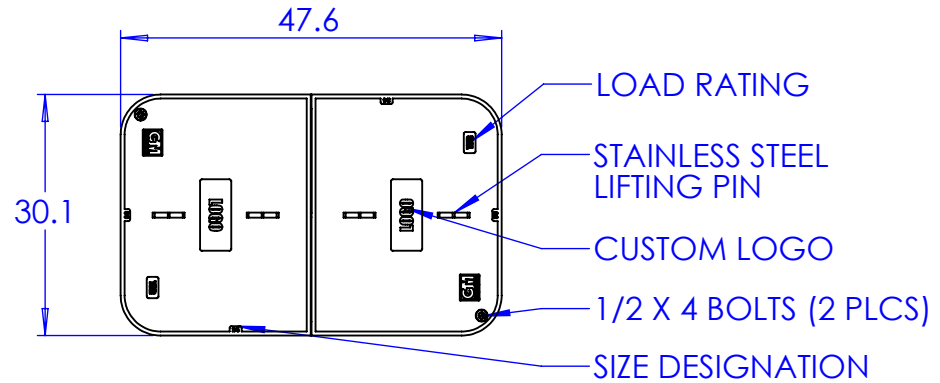
- ELECTRIC
- COMMUNICATIONS
- FIBER OPTICS
- BLANK
- WATER
- LIGHTING
- STREET LIGHTING
- CAVITY

*OTHER OPTIONS AVAILABLE (CONTACT FACTORY)

AVAILABLE OPTIONS:

- EMS MARKER, POWER
- EMS MARKER, TELEPHONE
- MOUSEHOLES

*OTHER OPTIONS AVAILABLE (CONTACT FACTORY)



GLASMASTERS, INC.
 8873 WESTERN WAY, JAX., FL 32256
 (904) 400-7100 - (904) 358-1702 FAX
 WWW.GLASMASTERS.COM