

# AF243636P

ITEM	PART NO.	WT.
ASSEMBLY	AF243636P	293 LBS
PALLET QTY	3	928 LBS
LID	CP2436B	130 LBS
ENCLOSURE	BF243636B	163 LBS

**PART DESCRIPTION:**

24" x 36" x 36"  
 FIBERGLASS BOX ASSEMBLY, FLARED  
 WALL, OPEN BOTTOM

**LOAD RATING:**

- TIER 08
- TIER 15

**BOLT DOWN:**

- HEX HEAD (STANDARD)
- PENTA HEAD

**LOGO OPTIONS:**

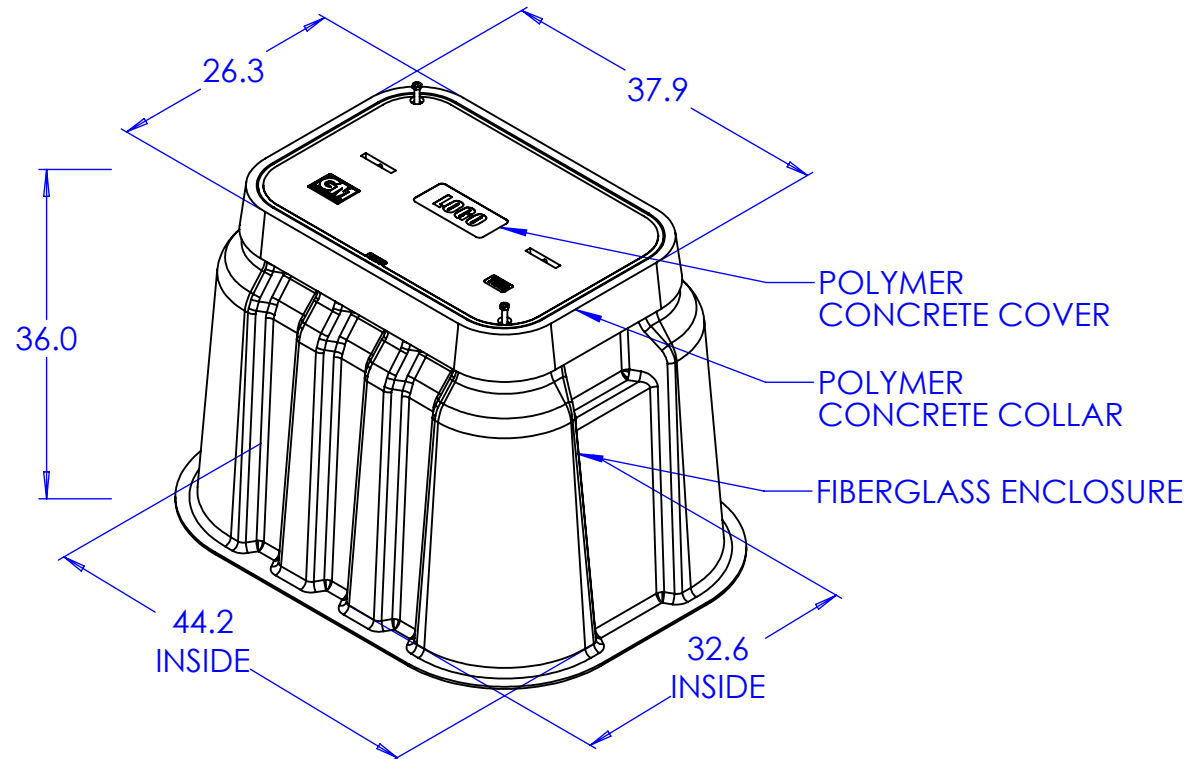
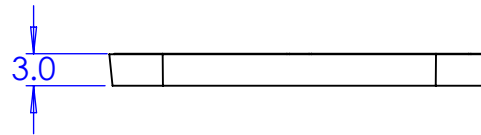
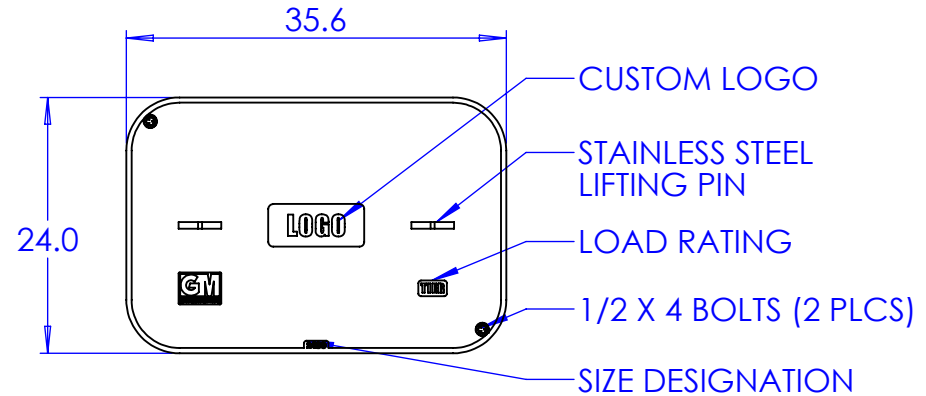
- ELECTRIC
- COMMUNICATIONS
- FIBER OPTICS
- BLANK
- WATER
- LIGHTING
- STREET LIGHTING
- CAVITY

\*OTHER OPTIONS AVAILABLE (CONTACT FACTORY)

**AVAILABLE OPTIONS:**

- EMS MARKER, POWER
- EMS MARKER, TELEPHONE
- MOUSEHOLES

\*OTHER OPTIONS AVAILABLE (CONTACT FACTORY)



GLASMASTERS, INC.  
 8873 WESTERN WAY, JAX., FL 32256  
 (904) 400-7100 - (904) 358-1702 FAX  
 WWW.GLASMASTERS.COM