

# AF173012P

ITEM	PART NO.	WT.
ASSEMBLY	AF173012P	137 LBS
PALLET QTY	10	1416 LBS
LID	CP1730B	81 LBS
ENCLOSURE	BF173012B	55 LBS

**PART DESCRIPTION:**  
 17" x 30" x 12"  
 FIBERGLASS BOX ASSEMBLY, FLARED  
 WALL, OPEN BOTTOM

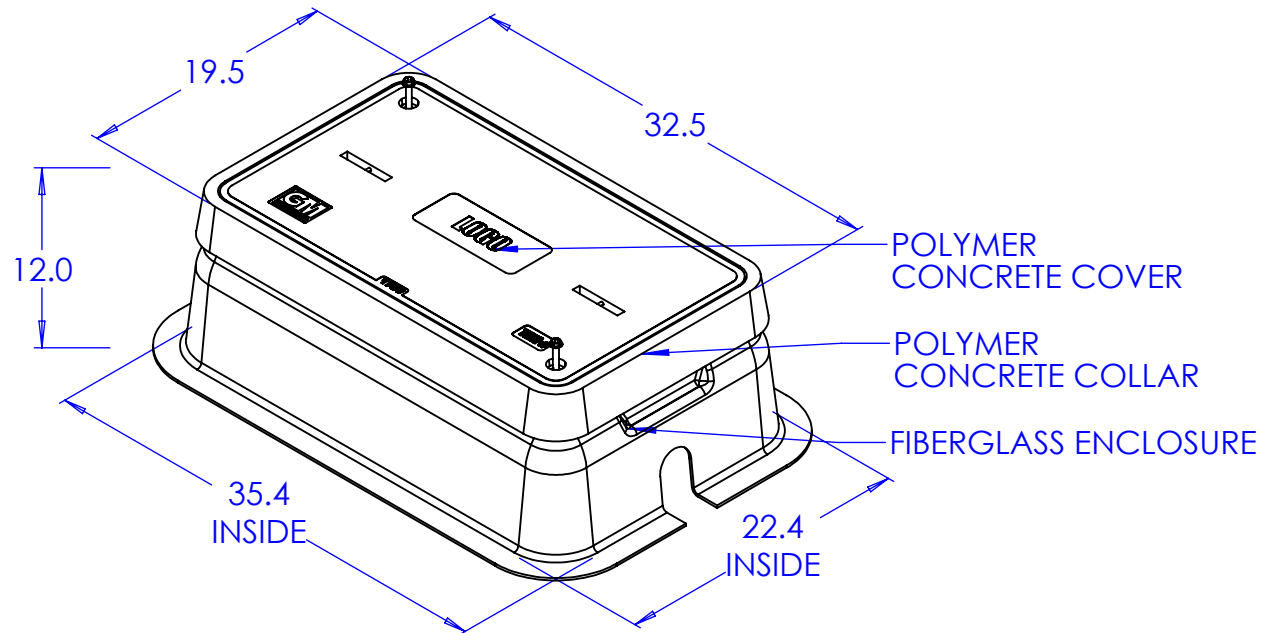
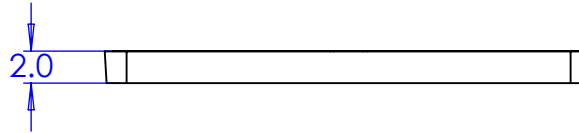
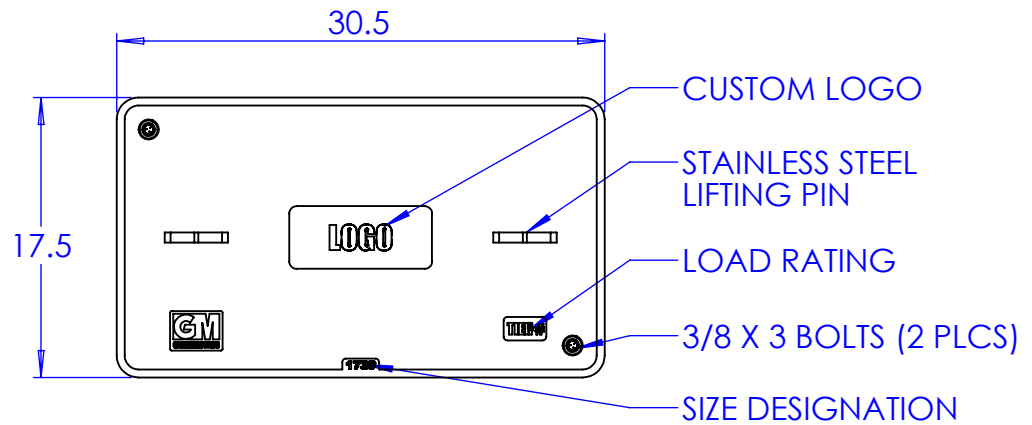
**LOAD RATING:**  
 TIER 08  
 TIER 15

**BOLT DOWN:**  
 HEX HEAD (STANDARD)  
 PENTA HEAD

**LOGO OPTIONS:**  
 ELECTRIC  
 COMMUNICATIONS  
 FIBER OPTICS  
 BLANK  
 WATER  
 LIGHTING  
 STREET LIGHTING  
 CAVITY

\*OTHER OPTIONS AVAILABLE (CONTACT FACTORY)

**AVAILABLE OPTIONS:**  
 EMS MARKER, POWER  
 EMS MARKER, TELEPHONE  
 MOUSEHOLES  
 \*OTHER OPTIONS AVAILABLE (CONTACT FACTORY)



GLASMASTERS, INC.  
 8873 WESTERN WAY, JAX., FL 32256  
 (904) 400-7100 - (904) 358-1702 FAX  
 WWW.GLASMASTERS.COM