

AF132412P

| ITEM | PART NO. | WT. |
|------------|-----------|----------|
| ASSEMBLY | AF132412P | 89 LBS |
| PALLET QTY | 20 | 1830 LBS |
| LID | CP1324B | 48 LBS |
| ENCLOSURE | BF132412B | 41 LBS |

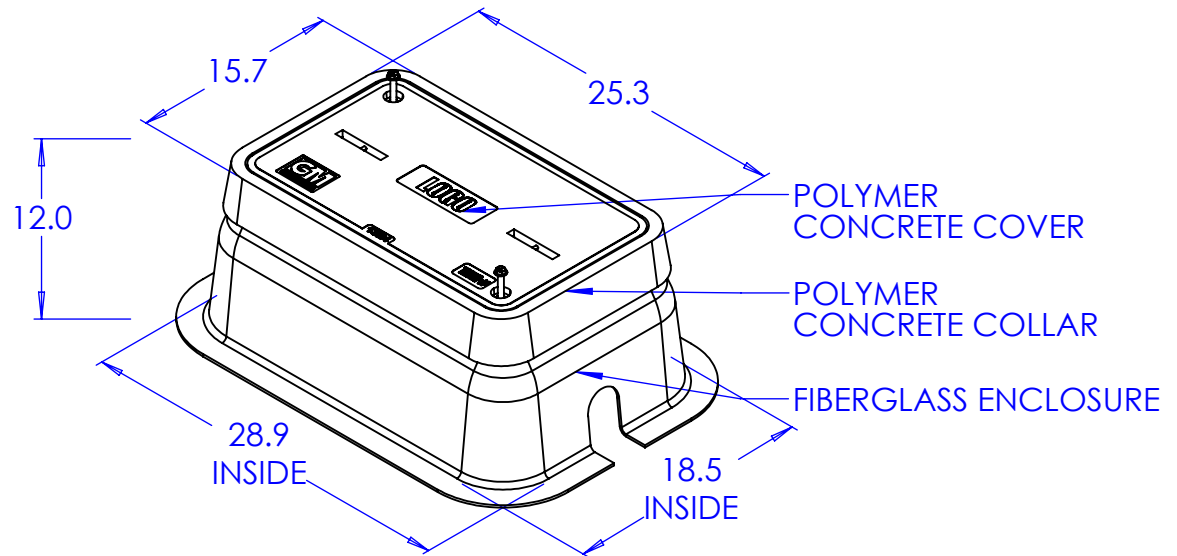
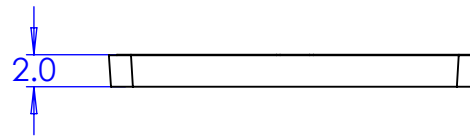
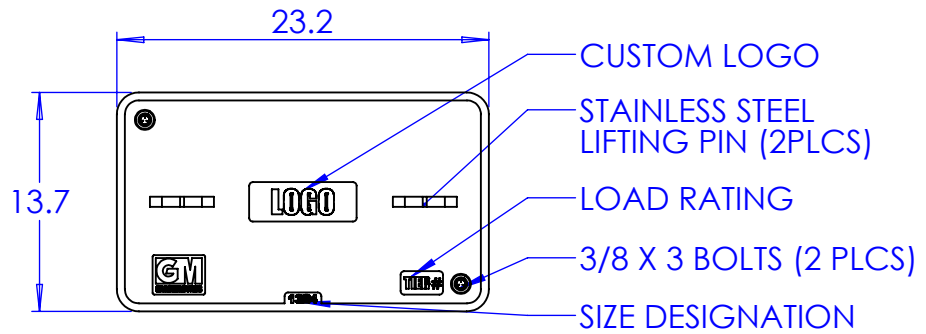
PART DESCRIPTION:
 13" x 24" x 12"
 FIBERGLASS BOX ASSEMBLY, FLARED
 WALL, OPEN BOTTOM

LOAD RATING:
 TIER 08
 TIER 15

BOLT DOWN:
 HEX HEAD (STANDARD)
 PENTA HEAD

LOGO OPTIONS:
 ELECTRIC
 COMMUNICATIONS
 FIBER OPTICS
 BLANK
 WATER
 LIGHTING
 STREET LIGHTING
 CAVITY
 *OTHER OPTIONS AVAILABLE (CONTACT FACTORY)

AVAILABLE OPTIONS:
 EMS MARKER, POWER
 EMS MARKER, TELEPHONE
 MOUSEHOLES
 *OTHER OPTIONS AVAILABLE (CONTACT FACTORY)



GLASMASTERS, INC.
 8873 WESTERN WAY, JAX., FL 32256
 (904) 400-7100 - (904) 358-1702 FAX
 WWW.GLASMASTERS.COM